



- UL, cUL Recognized
- CSA Certified
- As per ANSI/IEEE C57.13 OR IEC 60044 OR relevant standard

TABLES:

CATALOG NUMBER	CURRENT RATIO	RELAY CLASS	ANSI METERING CLASS @ 60 HZ				
			B0.1	B0.2	B0.5	B0.9	B1.8
CT103-500	50:5	C 10	2.4	4.8	-	-	-
CT103-750	75:5	C 20	1.2	1.2	2.4	-	-
CT103-101	100:5	C 20	0.6	1.2	2.4	-	-
CT103-151	150:5	C 50	0.6	0.6	1.2	2.4	-
CT103-201	200:5	C 50	0.3	0.3	0.6	1.2	2.4
CT103-251	250:5	C 50	0.3	0.3	0.6	1.2	2.4
CT103-301	300:5	C100	0.3	0.3	0.3	0.6	1.2
CT103-401	400:5	C100	0.3	0.3	0.3	0.6	1.2
CT103-501	500:5	C100	0.3	0.3	0.3	0.3	0.6
CT103-601	600:5	C200	0.3	0.3	0.3	0.3	0.6
CT103-751	750:5	C200	0.3	0.3	0.3	0.3	0.3
CT103-801	800:5	C200	0.3	0.3	0.3	0.3	0.3
CT103-102	1000:5	C200	0.3	0.3	0.3	0.3	0.3
CT103-122	1200:5	C400	0.15	0.15	0.15	0.15	0.15
CT103-152	1500:5	C400	0.15	0.15	0.15	0.15	0.15
CT103-162	1600:5	C400	0.15	0.15	0.15	0.15	0.15
CT103-202	2000:5	C400	0.15	0.15	0.15	0.15	0.15
CT103-252	2500:5	C400	0.15	0.15	0.15	0.15	0.15
CT103-302	3000:5	C400	0.15	0.15	0.15	0.15	0.15
CT103-402	4000:5	C400	0.15	0.15	0.15	0.15	0.15

INSULATION LEVEL

600 V, BIL 10kV full wave

FREQUENCY

50-400 Hz

THERMAL RATING

50:5-3000:5 - 2.0 @ 30 deg. C ambient
1.5 @ 55 deg. C ambient

4000:5 - 1.5 @ 30 deg. C ambient
1.33 @ 55 deg. C ambient

OUTER ENCAPSULATION

Plastic Cased

SECONDARY TERMINALS

Brass screw # 10-32 with one flat washer and lock washer, accessible from either side

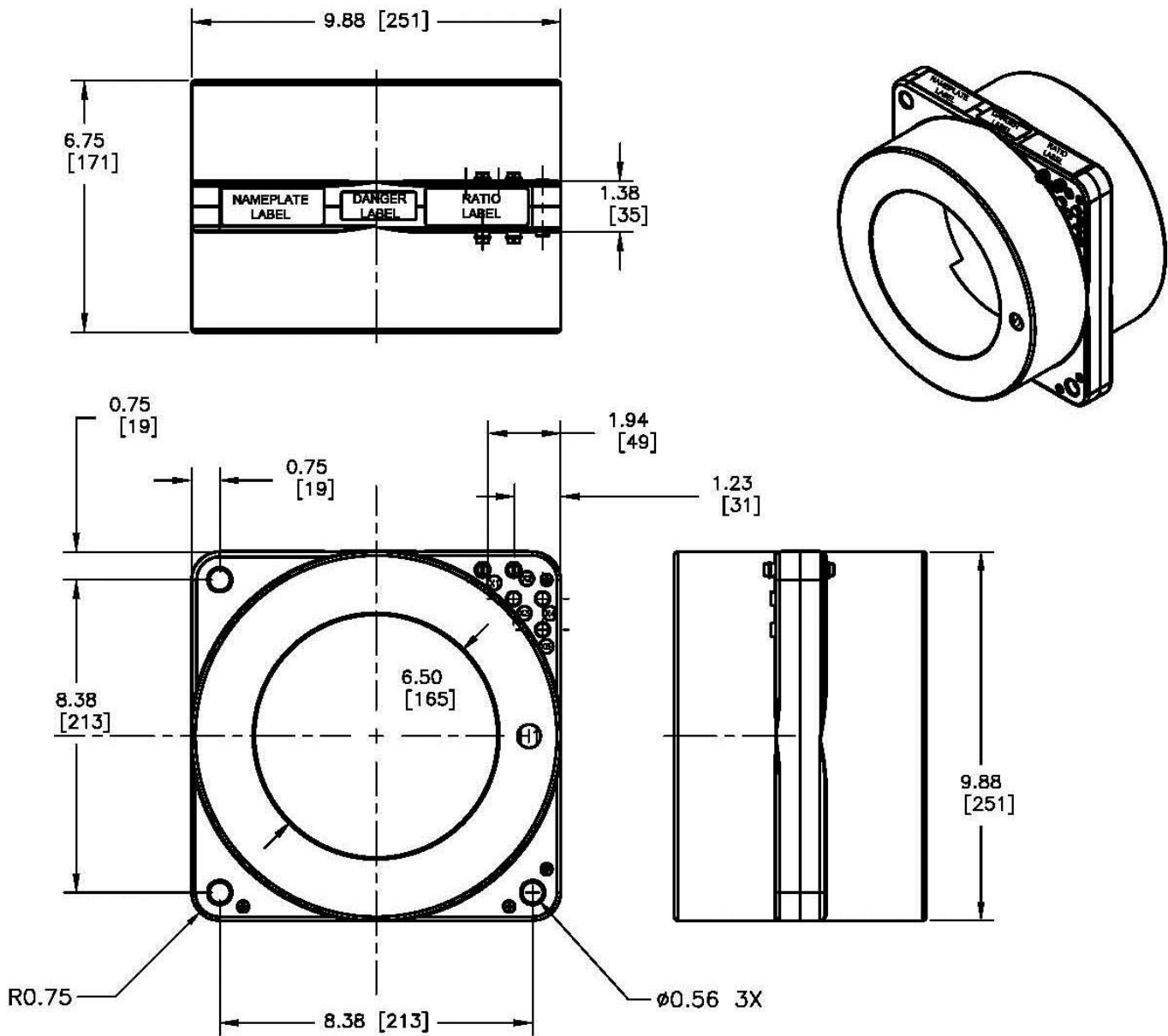
APPROX. WEIGHT

59 lbs.

CUSTOM OPTIONS (CONTACT US)

- Different Ratios
- IEC Ratios/Accuracies
- Non-standard thermal rating
- Different encapsulation
- Different secondary termination
- Special mounting needs

DIMENSIONS - ALL DIMENSIONS ARE IN INCHES (MM)



EXCITATION CURVES:

Available upon request: